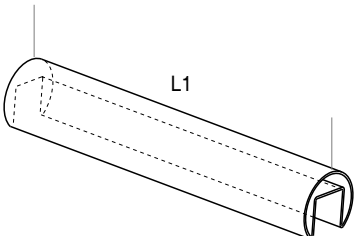
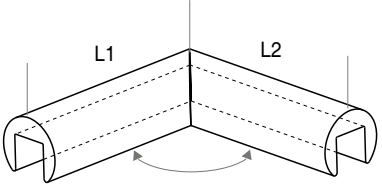
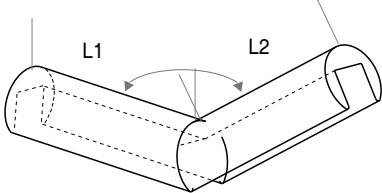
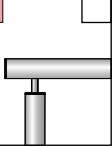
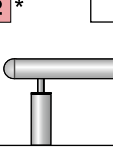
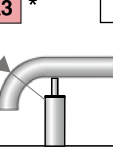
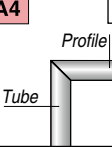
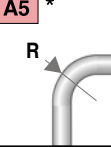
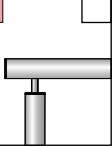
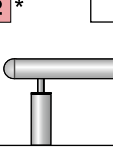
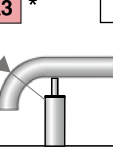
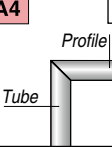
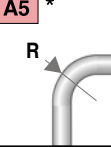
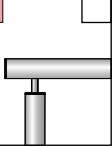
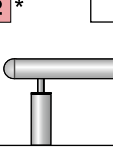
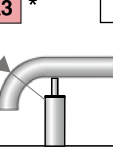
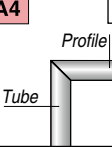
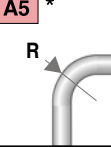


Handlauf Muster / handrail - sample

Alle Modelle sind international gesetzlich geschützt.
All models are protected by international law.

| Projekt / project: | Bestellnr. / item no.: | Datum / date: | | | | | | | | | | |
|--|--|---|---|---|-------------|-----------|-------------|---|---|---|---|---|
| Handlauf Verlauf / handrail course: | | | | | | | | | | | | |
| <p>gerade / straight <input type="checkbox"/></p>  <p>Gehung horizontal / miter horizontal Winkel / angle:°</p>  <p>Gehung vertikal / miter vertical Winkel / angle:°</p>  | <p>Handlaufleuchte / handrail luminaire</p> <p>U-Profil Edelstahl V2A / U-profile stainless steel L304 :</p> <p> <input type="checkbox"/> U42 (Ø42 mm) <input type="checkbox"/> U48 <input type="checkbox"/> U60 <input type="checkbox"/> U40x40 <input type="checkbox"/> U60x40 </p> <p>Oberfläche / surface:</p> <p> glasperlengestrahlt / glass-bead blasted <input type="checkbox"/> geschliffen Korn240 / polished grain240 <input type="checkbox"/> pulverbeschichtet / powder coated RAL <input type="checkbox"/> DB <input type="checkbox"/> </p> <p>Abstrahlwinkel / beam angle:</p> <p> <input type="checkbox"/> symmetrisch <input type="checkbox"/> asymmetrisch / asymmetrical </p> <p>Schutzabdeckung / protection cover :</p> <p>PC Glas: transparent <input type="checkbox"/> leicht mattiert/slightly frosted <input type="checkbox"/></p> <p>Technik / technology: Schutzart / protection class : IP54</p> <p>Lichttechnik / light technique:</p> <p>Lichtfarbe / colour temperature (CCT):</p> <p>LED Schutzart / LED protection class : IP65 <input type="checkbox"/> IP68 <input type="checkbox"/></p> <p>Weitere / more :</p> <p>Details nach Wahl / details on request:</p> | | | | | | | | | | | |
| Handlauf-Enden / handrail ends: | | | | | | | | | | | | |
| <table border="1" style="width: 100%; border-collapse: collapse;"> <tr> <td style="width: 20%; text-align: center;">A1</td> <td style="width: 20%; text-align: center;">A2 *</td> <td style="width: 20%; text-align: center;">A3 *</td> <td style="width: 20%; text-align: center;">A4</td> <td style="width: 20%; text-align: center;">A5 *</td> </tr> <tr> <td></td> <td></td> <td></td> <td></td> <td></td> </tr> </table> <p style="text-align: center;">*nur für Rundprofil / only for round-profile <input type="checkbox"/></p> | | | A1 | A2 * | A3 * | A4 | A5 * |  |  |  |  |  |
| A1 | A2 * | A3 * | A4 | A5 * | | | | | | | | |
|  |  |  |  |  | | | | | | | | |